



☎ 1300 072 926

VIC 24-28 Williams Road Dandenong Sth. 3175  
E [vic@globalmachinerysales.com.au](mailto:vic@globalmachinerysales.com.au)  
F (03) 9791 7676

NSW Unit 1/21 Penny Place Arndell Park 2148  
E [nsw@globalmachinerysales.com.au](mailto:nsw@globalmachinerysales.com.au)  
F (02) 8678 2478







**“Impressive side reach, so stable and secure!”, this is the first reaction and comment from everyone that takes a ride on the heavy duty S19.**

It features an extremely compact stabilisation area with full side reach, including the ability to self level on steep sloped floors and terrain. In addition, the S19HD is also capable of setting up in “narrow mode”, with an even smaller footprint. This special feature means reduced outreach, however the lift is still capable of full 360° rotation and full vertical height.

Designed and built with a configuration of one lower riser pantograph and two-telescopic boom extensions, the S19HD has a 200kg basket capacity and 180° basket rotation, with close to 19m of working height. Compact dimensions of 0.95m W x 2.04m H means access to virtually any work area.

Equipped with a double stabilisation area and articulated outriggers capable of raising the entire lift approximately 1.5m in height, allowing safer lift self loading onto a truck chassis, avoiding the need to use cumbersome loading and unloading ramps.

Easy to use control system with multiple toggles allows for a smooth, comfortable and safe operator ride. Quiet diesel engine/240v electric hydraulic power pack is standard. Also available with hybrid power source. Internet connectable control system allows for quick remote diagnostics and corrections which means less expensive maintenance.



**Spider Style  
Stabilisers**



**Silent Pack  
Diesel Engine**



**Extending  
Width Tracks**



**Towable  
Transportable**



**Radio Remote  
Control**



**OPTIONAL Hybrid  
Power Source**



**Stabilisers**

Hydraulic powered, articulated, auto levelling.

**Heavy  
Duty**

Built like a tank, with big horizontal outreach and traditional spider stabilisers.

**Compact  
dimensions**

Very small when folded, just 4.9m long, 0.95m wide and 2.04m high.

**Dual voltage  
AC motor**

Choice of 240v or dual voltage AC motor power unit.

**Internet  
Connectable**

Internet connectable control system allows for quick remote diagnostics.

**Articulated  
Outriggers**

Articulated outriggers capable of raising the entire lift approx. 1.5m off the ground.



## PERFORMANCE

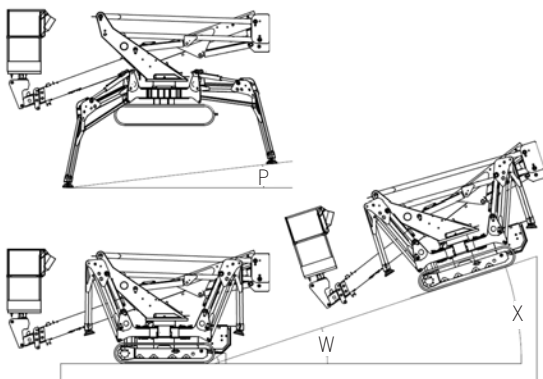
Max working height	18.7m
Max working outreach (with 80kg)	11m
Max outreach, edge of the basket (with 200kg)	7.6m
Max basket capacity	200kg
Turret rotation	+/-360°
Basket rotation	+90°/-87°
(P) Max slope to stabilise	15° / 27%
(W) Max angle approach	30° / 57%
(X) Max travel slope	17° / 30%
Max travel speed	1.8km/h

## DIMENSIONS

(A) Basket height	1.10m
(B) Basket width	0.70m
(C) Basket length	1.40m
(D) Total length	5.17m
(F) Height in driving position	2.4m
(G) Total width (without basket)	0.89m
(H) Free height from the ground	0.18m
(I) Tracks (LxW)	1.75 x 0.25m
(J) Maximum longitudinal stabilisation	4.2m
(K) Maximum cross stabilisation	3.5m
(N) Minimum longitudinal stabilisation	3.5m
(O) Minimum cross stabilisation	2.75m
Stabilisers plate	0.18m

## WEIGHTS

Total weight	2,800kg
Max pressure on the foot	7.07kg/cm <sup>2</sup>
Max pressure on the track	0.17kg/cm <sup>2</sup>
Max pressure in travel	600kg/m <sup>2</sup>
Max pressure in work	234kg/m <sup>2</sup>



## POWER

Engine	Kubota or Yanmar Diesel
Electric motor	240v 15amp 2.2kw

