

# BG LIFT

THE BEST TOOLS FOR YOUR WORK

COMPACT CRANE / MINI CRANE / PICK AND CARRY



▶ **CWE 315** ◀◀◀

**SIMPLE ANSWERS TO COMPLEX LIFTING**



☎ **1300 072 926** | [globalmachinerysales.com.au](http://globalmachinerysales.com.au)

**VIC** 24-28 Williams Road Dandenong Sth. 3175  
E [sales@globalmachinerysales.com.au](mailto:sales@globalmachinerysales.com.au)

**NSW** 49-50 Cassola Place, Penrith, NSW 2750  
E [sales@globalmachinerysales.com.au](mailto:sales@globalmachinerysales.com.au)

**QLD** 191 Manesium Dr, Crestmead QLD 4132  
E [sales@globalmachinerysales.com.au](mailto:sales@globalmachinerysales.com.au)

## CWE 315 (BIG COMPACT CRANE)

The brilliant crane, with performances that until now were considered impossible.

CWE 315 is an exclusive project of BG LIFT, born from the need to create a compact and light crane, but at the same time strong and powerful as his colleagues of higher dimensions. The results? More than 26 meters of horizontal outreach and almost 10 Ton of maximum lifting capacity in a reduced chassis, agile and extremely maneuverable
















### SPECIFICATIONS

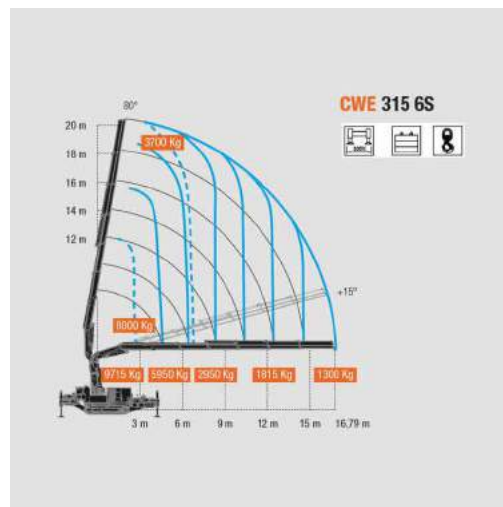
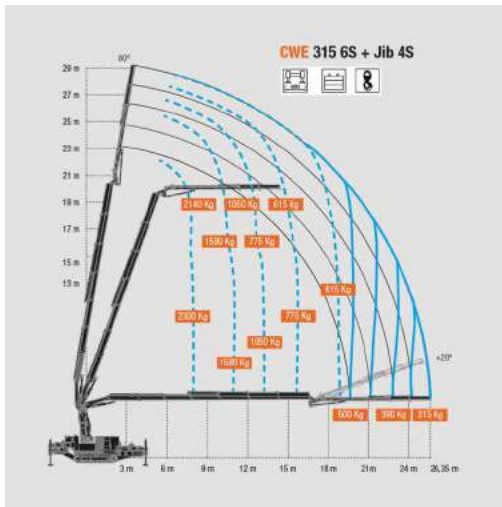
- **Dimensions ( h × w × l )**  
2,43 × 1,62 × 4,70 m
- **Weight**  
10000 kg
- **Lifting capacity**  
9715 kg
- **Max outreach with Jib**  
4S 26,35 m
- **Maximum lifting height with hydraulic Jib 4S (from the ground)**  
21,10 m
- **Maximum lifting height (underground)**  
-53 m



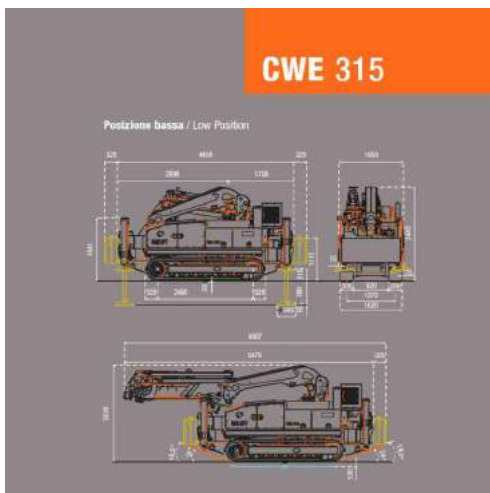
## TECHNICAL SPECIFICATIONS CWE 315

	Max capacity	9715 Kg / 2,70 m
	Max outreach (6S version)	16,79 m
	Max outreach with Jib (version 6S+JIB 4S)	26,35 m
	Max hook height (6S version)	20 m
	Max hook height with Jib (version 6S+JIB 4S)	29,2 m
	Slewing angle-speed	Continuous / 1,5 rpm
	Winch	First layer pull 1900 Kg Rope lenght 60 m Speed in direct pull 50 m / min.
	Radio remote control	Scanreco Can-Bus + Display
	Stability control	Electronic
	Stability system	Dynamic stability area calculation Cpu controlled
	Weights	Standard crane (6S Version): 10000 Kg Jib (4S): 605 kg Electric motor: 15Kw/400 V - 200 kg Winch: 220 kg Mobile ballast : 3800 kg Rubber pads: 135 kg
	Crawler Crane Traction	Trasmission: Moto-reducer Scope: 160 l Pressure: 225 Bar Speed: 1,2 - 2,2 K/h Max slope degree: 25° Max pressure on the ground: 1,05 Kg/Cm <sup>2</sup> Traks width: 350 mm Max. outrigger load: 18000 daN
	Diesel Engine	Brand: Yanmar Model: 4TNV98CT-N STAGE 5 Max power: 55 Kw - 74,8 Hp Max torque: 291 Nm Tank capacity: 75 l

## LOADING TABLES



## DIMENSIONS



## TECHNOLOGIES INSTALLED

### Every Function Under Control

The remote control with display for integrated control displays all the parameters in real time.

### No Limits Rotation

Infinite unobstructed rotation thanks to the ballast-free boom.

### Always Ready to Work

"X" frame that makes it possible to work with the outriggers within gauge and with the minimum clearance.

### Easy To Drive

It can stabilise and work on rough terrain.

### Load & Transport

The compactness and the wide ground clearance angle allows the crane to be loaded using Short ramp.

### Jib Over Line

Noteworthy Jib Length and Load.

### Electric Engine Always Allowed

15 Kw Three Phases Electric Engine, 400V inverter controlled.

## STANDARD EQUIPMENT

Radio remote control with display for crawler, chassis and crane function.

Continuous rotation

Links on all the crane articulations

Variable speed oil fan cooler

Predisposition for winch installation

Predisposition for Jib Installation

Predisposition for two man baskets installation

Outriggers continuous variations Control system

Removable ballast

Two speed crawler translation

Engine manual rpm increment

N° 4 lifting connections

N° 4 removable outriggers plates

Electronic limiting device

Auto diagnostic

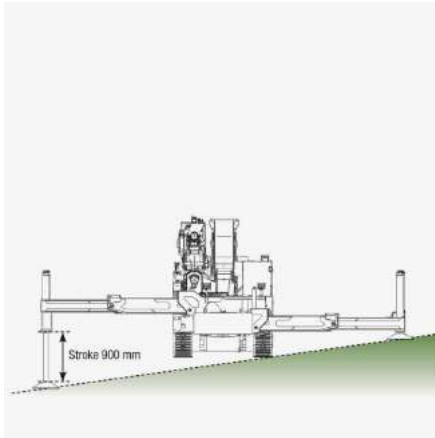
Crane color yellow RAL 1007

Crawler color black RAL 9005

According to EN12999.

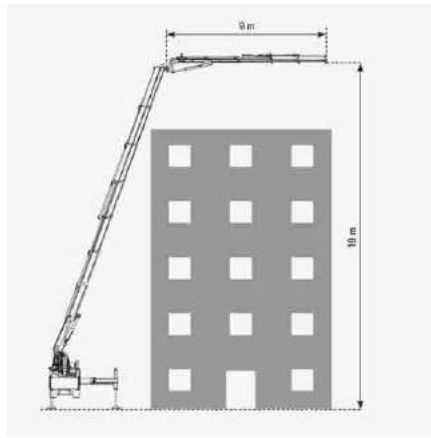


## TECHNOLOGIES INSTALLED



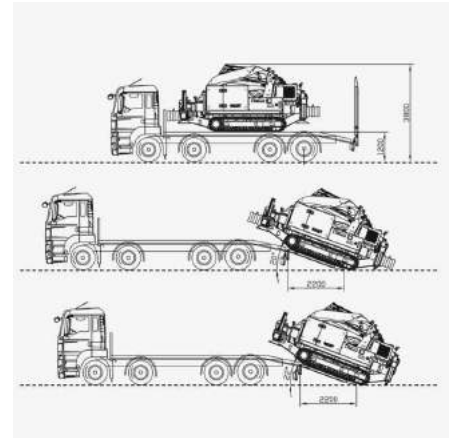
### Every Function Under Control

The outriggers of CWE 315 Range, Provided With Cross Beams System, confer to the Crane Chassis an incomparable torsion resistance always keeping extremely Compact the machine Dimensions in rest position. The outriggers cylinders, solid with extended stroke, Simplify the Crane Endurance on strongly steep grounds.



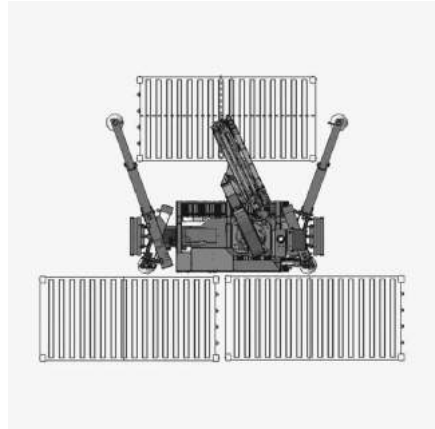
### Load Management

A large Employment of high enervation limit special steels, such as STRENX 1300, allow to limit the weight in order to take advantage of the performance; especially with more external loads on the top of the Jib.



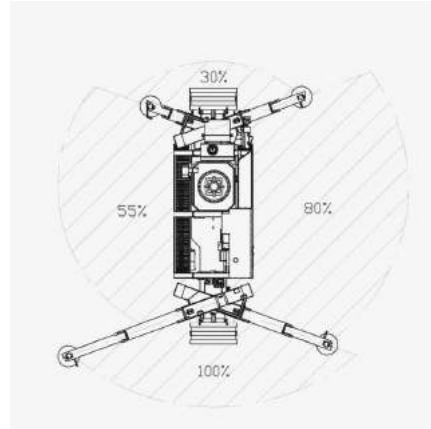
### Transport

The generous ground clearance angle permit to load the machine as well on truck with short ramps; simplifying the manoeuvres and optimizing loading time.



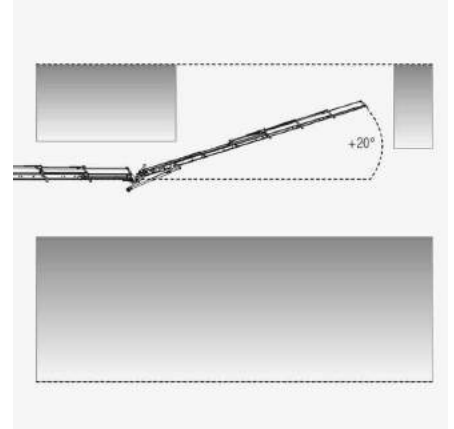
### "Short ray" Performance

CWE 315 is Built with very low barycentres which, combined to the Cross Beams Geometry, Permit to develop the full power and cover heavy and voluminous loads (Machines Tools and other) operating close to the load in reduced spaces and heights.



### Load Limit Stability (Progress)

The integrated control system give to the Crane infinite Stabilization possibilities, Automatically upgrading the load limiting device to the situation determined by the position of each outriggers; permitting the operator to completely work in safety conditions and, simultaneously, setting configurations unthinkable until today.



### Positive Angle for Hard Access

The second Articulated Telescopic Boom and the Hydraulic Jib have angular operating system respectively of 15° and 20° Over the Horizontal alignment of the boom. This situation allow to operate inside buildings and give the possibility to overcome obstacles such as lofts, front door and Beams.



## OPTIONAL EQUIPMENT

- Scanreco Can-Bus + display
- Hydraulic Jib with opening up to 200°
- Quick-faster hydraulic connection
- Hydraulic line for accessorize
- Manual extensions
- Lowered hook connections
- Lowered connections for vacuum glass lifters
- Two man capacity baskets CE
- Direct pull winch up to 4th fall
- Vacuum glass lifters
- Working LED lightson the boom
- Working LED lightson the crawler
- Towing winch
- Electric generator
- Removable large box
- Removable loading flat bed
- Three phases electric engine 15 Kw/400 V with inverter
- Bigger plates for outriggers
- LED lights for outriggers
- Rubber pads
- No marking rubber pads
- Green oil
- RACE
- DLC
- SENSE.

PHOTO GALLERY

