



**S32**

**DP** Double  
Performance Series

**VIC** 24-28 Williams Road Dandenong Sth. 3175  
E [sales@globalmachinerysales.com.au](mailto:sales@globalmachinerysales.com.au)

**NSW** Unit 49-50 Cassola PI, Penrith NSW 2750  
E [sales@globalmachinerysales.com.au](mailto:sales@globalmachinerysales.com.au)

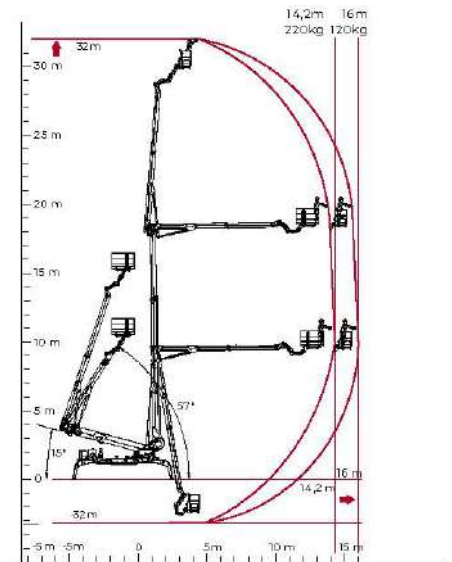
**QLD** 191 Magnesium Dr, Crestmead QLD 4132  
E [sales@globalmachinerysales.com.au](mailto:sales@globalmachinerysales.com.au)

[globalmachinerysales.com.au](http://globalmachinerysales.com.au)



1300 072 926





## DP Double Performance Series

### TECHNICAL SHEET PERFORMANCE AND DIMENSIONS

#### Main features

Astonishing numbers for this platform, which can reach the height of 32m, but also can work down to - 3.2m, all guaranteed by an automatic guidance and control system which it's the best result of CMC's most advanced technology research. The body machine has an incredibly compact design, with its tracks that can be adjusted in height and width and it's self-loading.

Max. working height 32 m

Possibility of working in negative -3,2 m

Max. outreach with 120 kg 16 m

Platform height 30 m

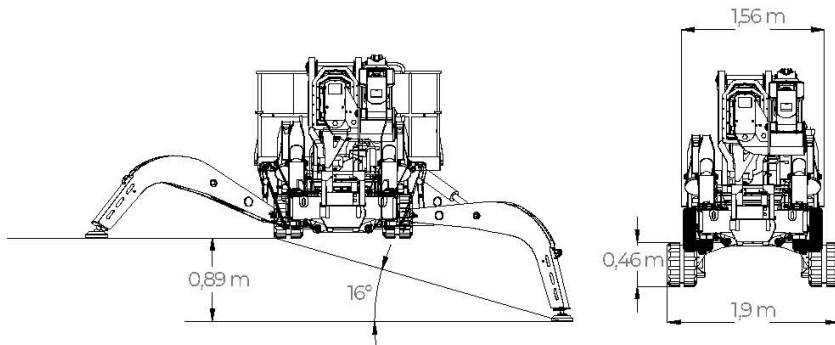
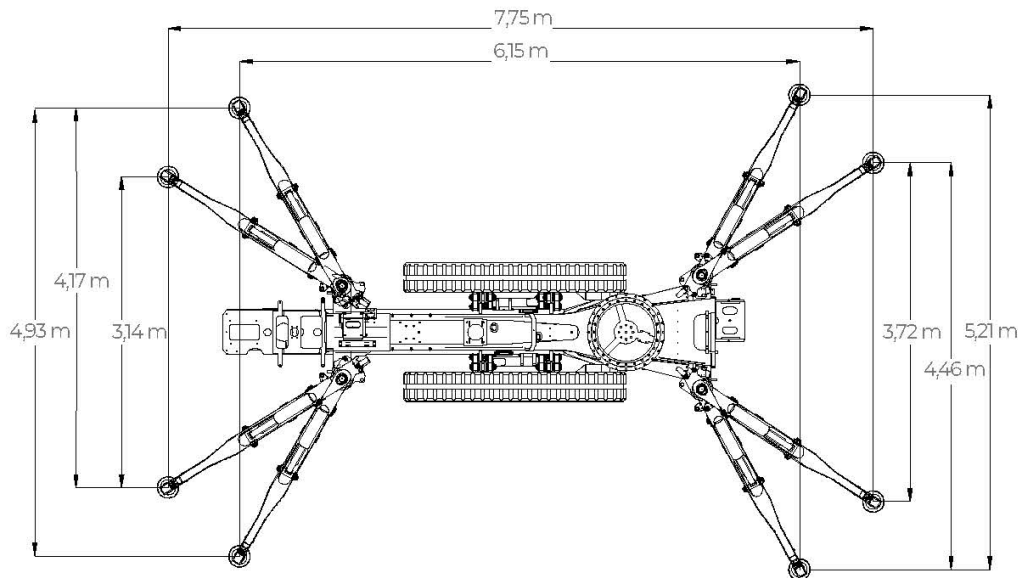
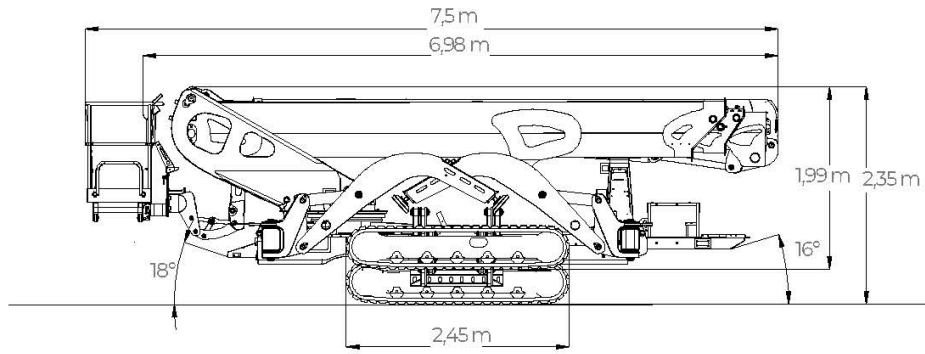
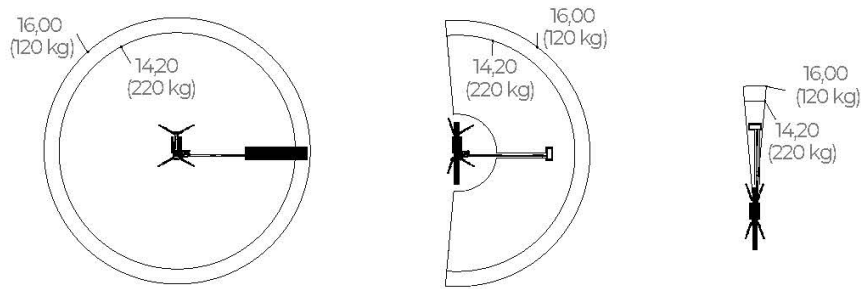
Max. load in basket 220 kg

Basket dimensions 1,7 x 0,7 x 1,1 m

Basket rotation +/- 90°

Turret rotation +/- 200°(400° continuous)

Total weight 7240 Kg



22-05-TS-EN-01