



S25

DP Double
Performance Series

VIC 24-28 Williams Road Dandenong Sth. 3175
E sales@globalmachinerysales.com.au

NSW Unit 49-50 Cassola Pl, Penrith NSW 2750
E sales@globalmachinerysales.com.au

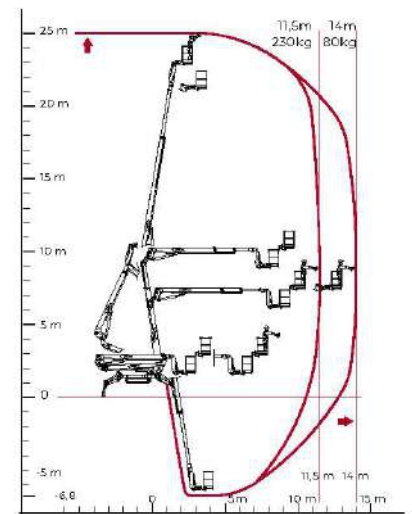
QLD 191 Magnesium Dr, Crestmead QLD 4132
E sales@globalmachinerysales.com.au



globalmachinerysales.com.au



1300 072 926



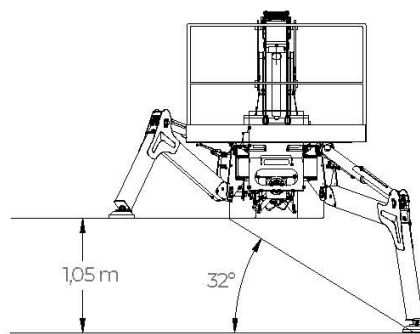
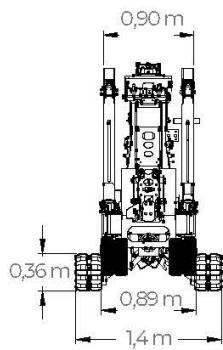
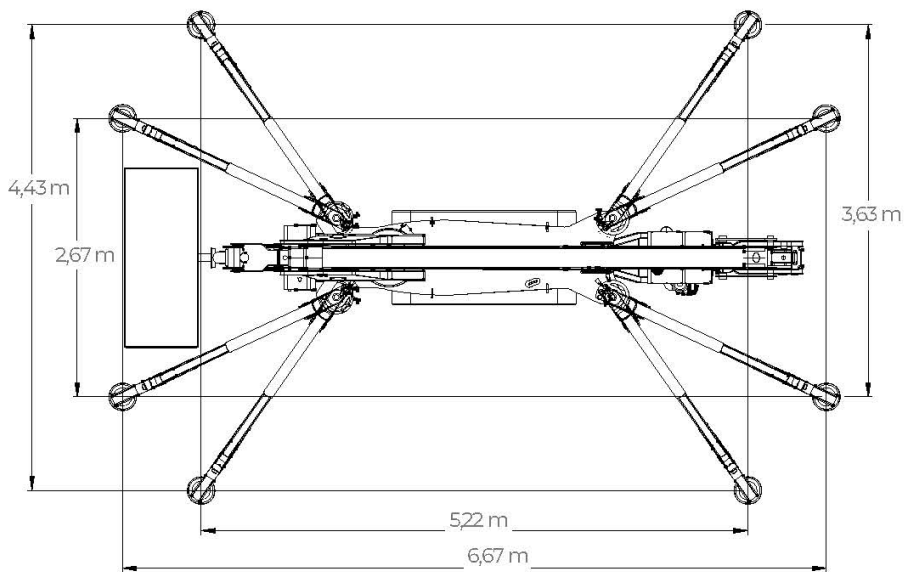
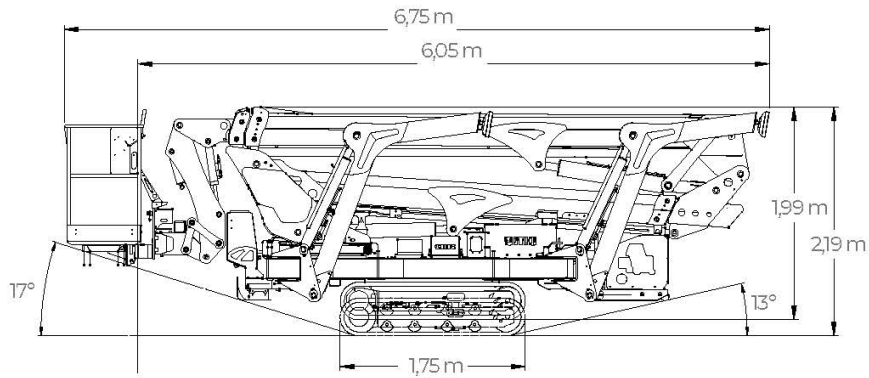
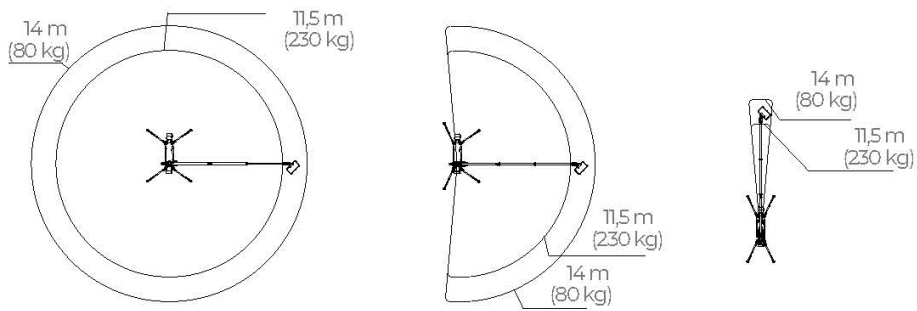
DP Double Performance Series

TECHNICAL SHEET PERFORMANCE AND DIMENSIONS

Main features

This platform has compact design and highperformance capabilities: 25m working height, 14m of horizontal reach and the ability to work in negative, down to -6.8m. With four stabilisation areas, it can perform a wide range of tasks with outstanding efficiency and reliability.

- Max. working height 25 m
- Possibility of working in negative -6,8 m
- Max. outreach with 80 kg 14 m
- Platform height 23 m
- Max. load in basket 230 kg
- Basket dimensions 1,7 x 0,7 x 1,1 m
- Basket rotation +/-90°
- Turret rotation +/- 200° (400° continuous)
- Total weight 3960 Kg



22-05-TS-EN-01