



S15F

F full hydraulic series

VIC 24-28 Williams Road Dandenong Sth. 3175
E sales@globalmachinerysales.com.au

NSW Unit 49-50 Cassola Pl, Penrith NSW 2750
E sales@globalmachinerysales.com.au

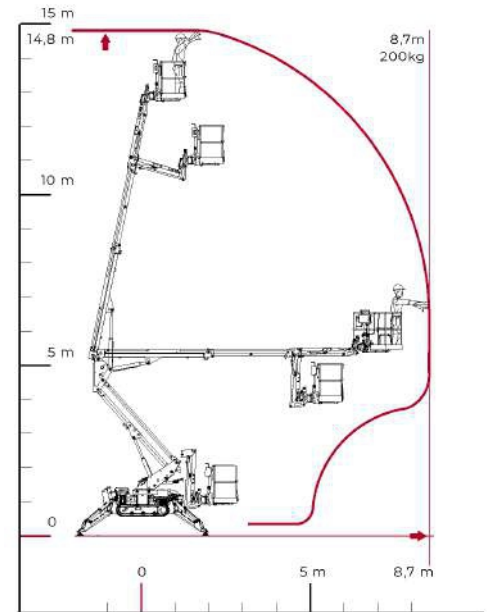
QLD 191 Magnesium Dr, Crestmead QLD 4132
E sales@globalmachinerysales.com.au

globalmachinerysales.com.au



1300 072 926





F full hydraulic series

TECHNICAL SHEET PERFORMANCE AND DIMENSIONS

Main features

Geometric platform without outreach limiting device, with pantograph and single telescopic extension boom plus jib. It offers excellent performance in all types of work, thanks to a compact stabilisation area that provides maximum stability even on the most difficult of surfaces.

Max. working height 14,8 m

Max. reach with 200 kg 8 m

Platform height 12,8 m

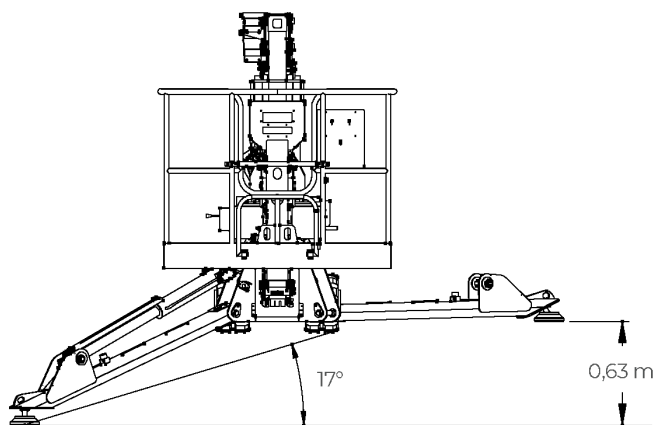
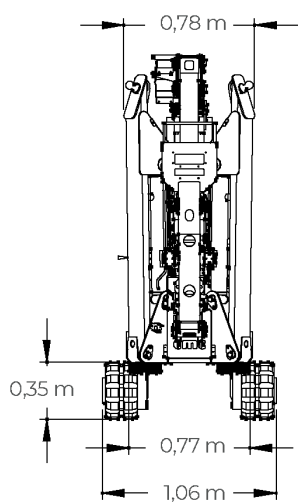
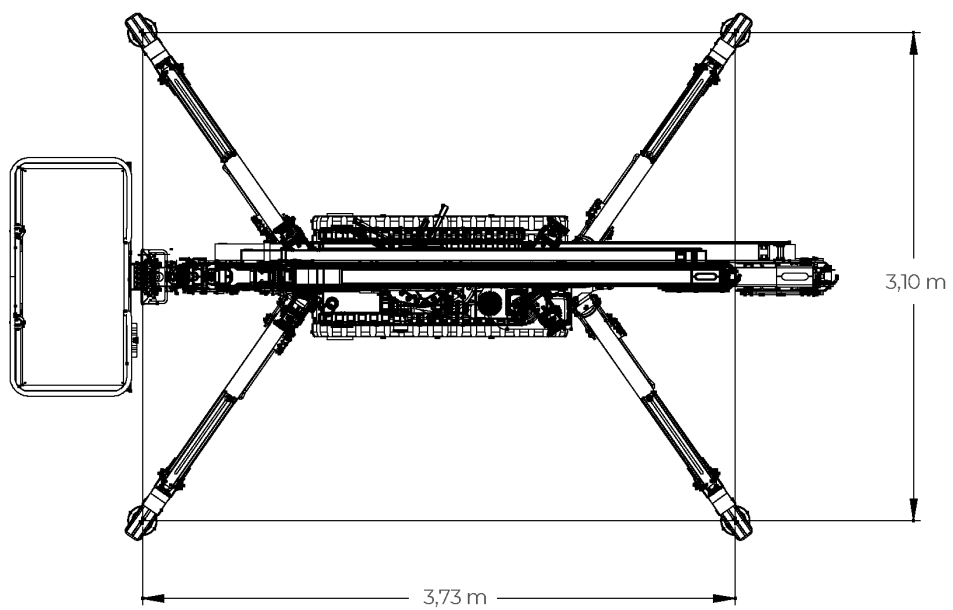
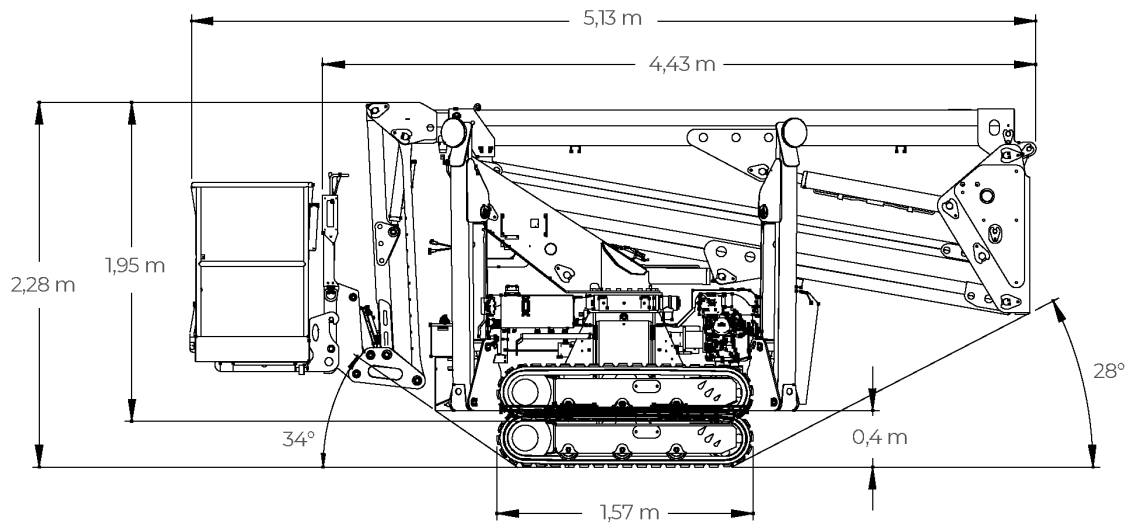
Max. load in basket 200 kg

Basket dimensions 1,4 x 0,7 x 1,1 m

Basket rotation +/-90° (options)

Turret rotation +/- 178°(356° non-continuous)

Total weight 2420 Kg



22-05-TS-EN-01